

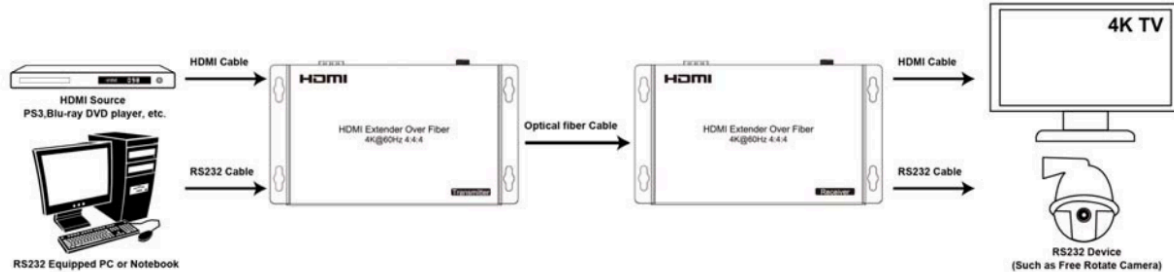
HDMI 2.0 Extender Over Fiber 4K@60hz YUV4:4:4, HDR



FEATURES

- Transmit distance up to 60 km over Single mode Duplex fiber cable
- Transmit distance up to 300m over Multimode mode Duplex fiber cable
- Support resolution upto 4kx2k@60hz, YUV4:4:4 HDR
- Support bandwidth upto 18Gbps
- With 0 frame latency (no delay)
- Support HDCP2.2 input, HDCP2.2 output
- Support HDCP1.4 input, HDCP1.4 output
- Support RS232 Bi-direction pass through
- With Automatic EDID for rapid integration of source and display
- With Automatic EDID for rapid integration of source and display
- Support LPCM 7.1, Dolby®True HD, DTS-HD Master Audio™
- Lockable power supply plug
- Surface-mountable

Typical Use

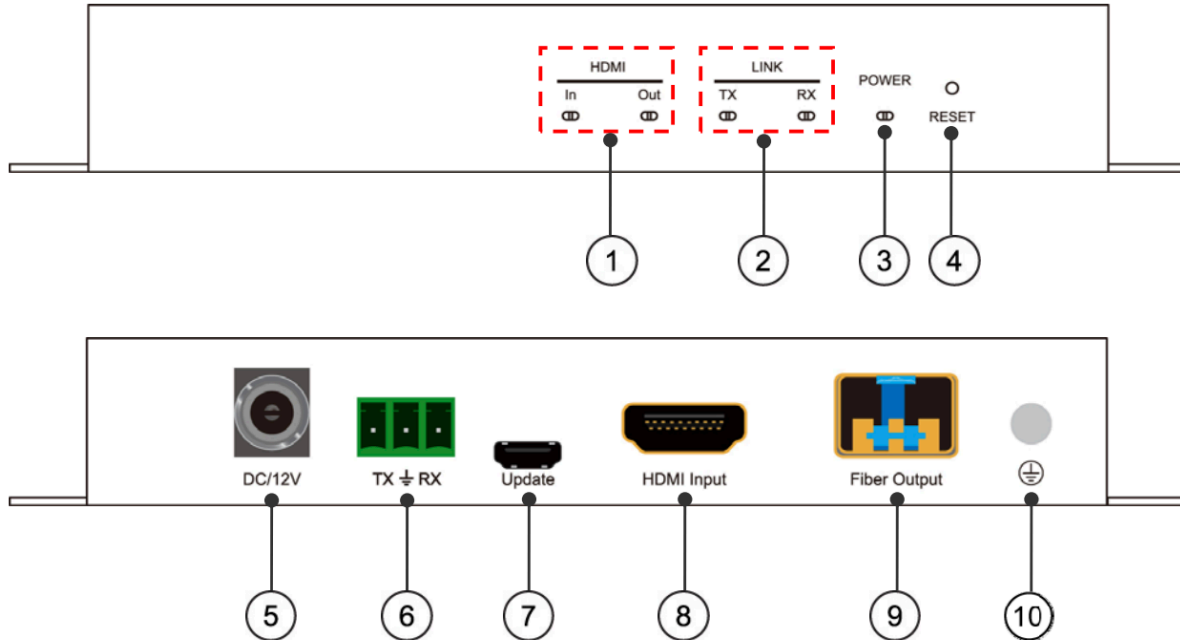


SPECIFICATIONS

Operating Temperature Range	-5 to +40°C(+23 to +95°F)
Operating Humidity Range	5 to 90%RH (No Condensation)
Video Input(Transmitter)	1xHDMI Type A, 19-pin, female
Video Output(Receiver)	1xHDMI Type A, 19-pin, female
Link(Transmitter/ Receiver)	1m~60Km single Multi mode 300m single Duplex fiber optical cable
Module type required [Ⓞ]	SFP Type, Single / Multi mode ,Single / Duplex fiber (optional)
Video Format	4K@60Hz YUV 4:4:4, 4K@60Hz, 1080P, 720P, 576P, 480P/ VESA Resolution
Audio Format	Support LPCM 7.1, Dolby®True HD, DTS-HD Master Audio™ .
HDCP	HDCP 1.4 in, HDCP 1.4 out HDCP 2.2 in, HDCP 2.2 out
Power consumption	Transmitter: 3watts(Maximum) Receive: 3watts(Maximum)
Dimension (L×W×H)	Transmitter: 96*100*21mm Receiver: 96*100*21mm
Net Weight	475g (Pair)

PANEL DESCRIPTIONS

Transmitter Panel



① HDMI In/Out indicator

② LINK TX/RX indicator

③ Power indicator

④ EDID Reset

⑤ Power input

⑥ RS232 input

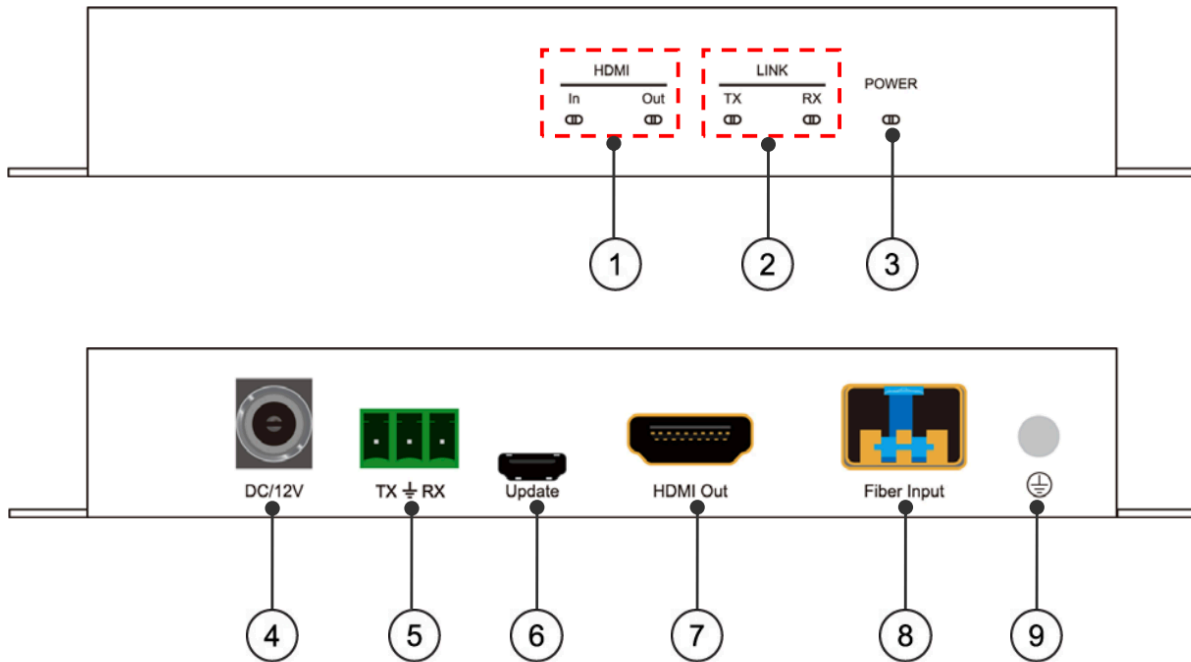
⑦ Upgrade USB port

⑧ HDMI input

⑨ Fiber output

⑩ Grounding

Receiver Panel



① HDMI In/Out indicator

③ Power indicator

⑤ RS232 output

⑦ HDMI output

⑨ Grounding

② LINK TX/RX indicator

④ Power input

⑥ Upgrade USB port

⑧ Fiber input